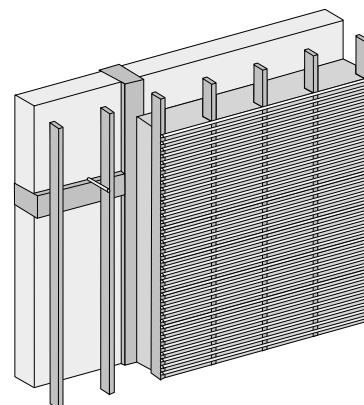


# Light clay

## Item No. 03.040 Light expanded clay

- **Pourable installation technique for varying thicknesses**
- **Mineral-based**
- **Non-combustible**



Light expanded clay is installed wet using a pourable (loose-fill) technique for interior facing shells, for example where the interior surfaces of external walls have significant projections and recesses or where service installations are to be integrated. The material dries relatively quickly and is non-combustible.



**GERMANY**  
© ClayTec GmbH & Co. KG  
Nettetalter Straße 113-117  
D-41751 Viersen-Boisheim  
+49 (0)2153 918-0  
service@claytec.com  
claytec.com

2026/2  
Changes and errors excepted.  
Current version available at  
[claytec.com](http://claytec.com)

## Light clay

### Item No. 03.040 Light expanded clay

**Field of application** Light clay for interior insulating facing shells in timber-framed buildings and other historic buildings.

**Composition** Natural building clay, expanded clay granulate 4-16 mm.

**Material properties** Dry bulk density with standard installation approx. 700 kg/m<sup>3</sup> (thermal conductivity 0.21 W/mK, water vapour diffusion resistance factor  $\mu$  5/10), building material class A1.

**Delivery form** Light expanded clay, ready for application, supplied in 1.0-t Big Bags.

**Storage** Protect against drying out or excessive moisture caused by weather conditions. Changes in consistency due to drying and lump formation are possible; if required, re-moisten and remix before use.

**Material requirement** One Big Bag of light expanded clay yields approx. 1.0 m<sup>3</sup> of finished light clay construction element.

**Processing** The material is installed either behind or between wide-meshed lost formwork (reed matting ST 70, ClayTec 34.001). The grid spacing of the substructure required for fixing the reed matting must not exceed 35 cm. The matting is fastened using galvanized staples and an additional galvanized wire; the base wire of the matting is not suitable for fixing. **Clay boards must not be used as lost formwork.**

The light clay is ready for processing upon delivery. It is placed using shovels or forks and compacted with simple tools (e.g. pieces of batten) until the shell is fully and void-free filled.

Light clay must not be rammed; maximum compaction is neither intended nor required.

At the beginning of the work, the quality of filling and the adequate fastening of the reed matting must be checked frequently.

**Drying** The drying time of light clay depends on the construction, wall thickness and weather conditions.

Assuming a one-sided drying depth of 15 cm, a minimum drying period of 8 to 12 weeks must be allowed before any further treatment. Actual drying may be faster.

**After installation, rapid drying must be ensured. Suitable measures include cross-ventilation (continuous through-draught with all windows and doors open 24 hours a day) or the use of drying equipment.**

Microbiological background concentration: Light expanded clay is purely mineral; the delivery form is earth-moist.

Further information can be found at [www.claytec.de/produkte/downloads](http://www.claytec.de/produkte/downloads), article Housing + Health.

Please note that compliance with specific values for the delivered material or the dried building element cannot be guaranteed.

If mould growth occurs on the surface, drying must be accelerated immediately, usually by means of drying equipment. We will be pleased to provide separate advice on further treatment of affected areas.

**Post-treatment** Plastering or cladding of light clay walls may only be carried out once drying is largely complete.

As a rule, visual inspection is sufficient to assess dryness.

The reed matting used as lost formwork provides a suitable plaster base for clay plasters and other renders.

Plastering is generally carried out in two layers with reinforcing mesh; see the ClayTec worksheet Clay plasters.

**Note** Light expanded clay is not suitable as infill material between vertical masonry and similar wall panels, as damage-free drying cannot be guaranteed.

The product 03.011 Woodchip Light Clay, which is no longer part of the standard range, remains available from a minimum order quantity of 50 Big Bags. Further processing instructions and additional information can be found in the worksheet Interior Insulation.

Claims for compensation that do not result from factory mixing errors are excluded. Subject to change and errors excepted. As of 2026/2.